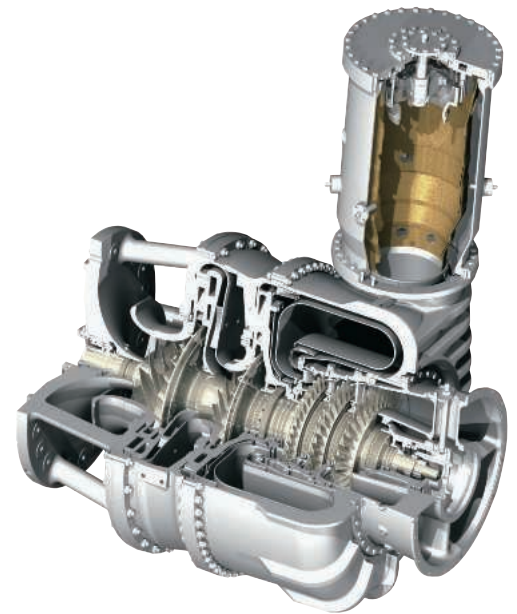




JAPEX Iwafune-oki platform

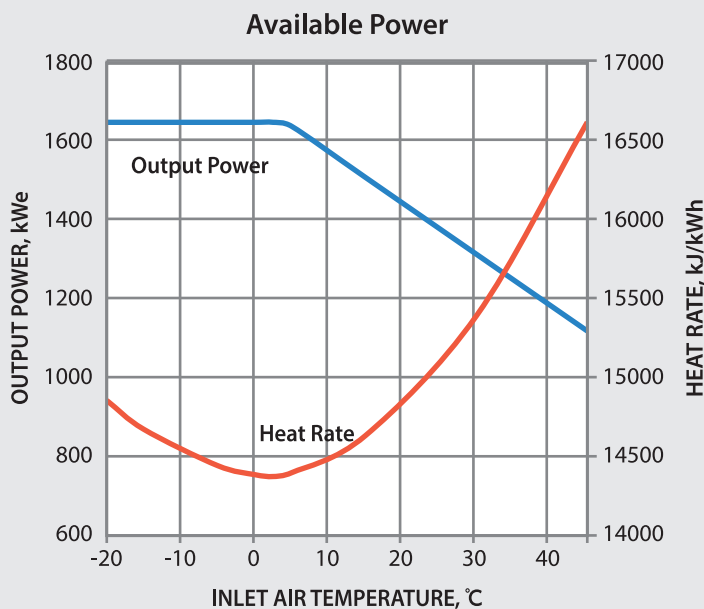
# GPB15

## Gas Turbine Generator Set for Oil & Gas Applications



### >>> Performance

Output Power	1,510 kW
Heat Rate	14,635 kJ/kWh (13,870 Btu/kWh)
Exhaust Flow	8.1 kg/s
Exhaust Temp.	521 °C



- Nominal Rating per ISO at 15°C, at sea level
- Relative humidity 60%
- Diffusion combustor without water injection
- No inlet/exhaust losses
- Natural gas (100% CH<sub>4</sub>, LHV=35.8 MJ/Nm<sup>3</sup>)
- Nominal performance at generator terminals (generator efficiency 96.5%)

### General Specifications

#### M1A-13 Gas Turbine

- Heavy Duty, Single Shaft
- 2-Stage Centrifugal Compressor
- Single Can-Type Combustor
- Dry Low Emissions (optional)
- 3-Stage Axial Turbine
- Tilting Pad Journal Bearing
- Tilting Pad Thrust Bearing
- Casing and Radial Shaft Vibration Transducers

#### Reduction Gearbox

- Epicyclic Type
- 1500 or 1800 rpm (50Hz or 60Hz)

#### Generator

- 3 Phase, 4 Wire, Synchronous, with Brushless Exciter
- Antifriction Rolling Bearing
- NEMA Class F with F Rise

#### Package Features

- 316L Stainless Steel Piping
- Electrical System for Zone 2
- VFD Motor Start System
- Pneumatic Start System (optional)
- 24 V DC Control Battery/Charger (optional)
- Redundant PLC-based Control System
- Integrated Lube Oil System
- Gearbox Driven Main Pump
- DC Motor Driven Pre/Post/Emergency Pump
- Air Inlet and Exhaust System (optional)
- 24 V DC Control Battery/Charger (optional)
- Waterproof and Acoustic Enclosure
- Fire Fighting System
- Mobile Type Compressor Cleaning System
- Factory Testing of Turbine and Package

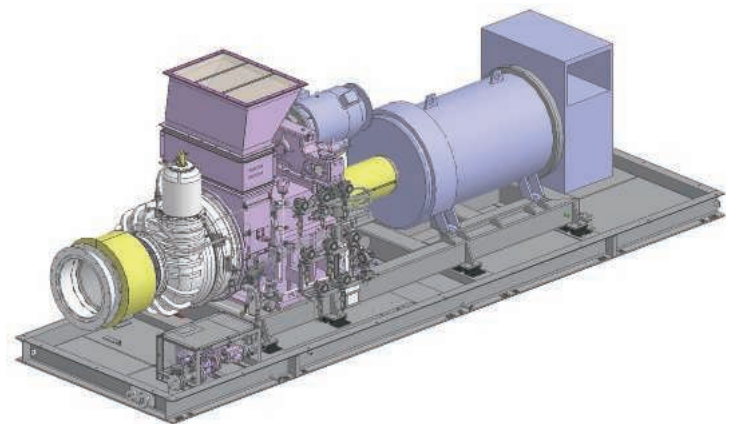
### Package Dimensions

Length: 6.2m

Width: 1.85m

Height: 2.5m

Weight: 11 ton (Package)



[global.kawasaki.com/en/energy/equipment/gas\\_turbines/index.html](http://global.kawasaki.com/en/energy/equipment/gas_turbines/index.html)

**Kawasaki Heavy Industries, Ltd. Gas Turbine Division**  
Phone: +81-3-3435-2579 Fax: +81-3-3435-2592

**Kawasaki Machine Systems, Ltd. (Asia Division)**  
Phone: +81-3-3435-2977 Fax: +81-3-3435-2592

**Kawasaki Gas Turbine Asia Sdn Bhd : (KGA)**  
Phone: +60-3-7846-2882 Fax: +60-3-7848-3093  
[www.kga.com.my](http://www.kga.com.my)

**Kawasaki Gas Turbine Europe GmbH : (KGE)**  
Phone: +49-6172-7363-0 Fax: +49-6172-7363-55  
[www.kawasaki-gasturbine.de](http://www.kawasaki-gasturbine.de)

**Kawasaki Gas Turbines-Americas : (KGT-A)**  
Phone: +1-281-970-3255 Fax: +1-281-970-6465  
[www.kawasakigasturbines.com](http://www.kawasakigasturbines.com)

**Kawasaki Machine Systems, Ltd. (Korea Branch)**  
Phone: +82-2-527-2201 Fax: +82-2-527-2205

**Kawasaki Machine Systems, Ltd. (Shanghai Rep.Office)**  
Phone: +86-21-3366-3500 Fax: +86-21-3366-3505

**Kawasaki Gas Turbines-Americas (Houston, TX)**

**Kawasaki Gas Turbine Europe GmbH (Bad Homburg, Germany)**

**Kawasaki Machine Systems, Ltd. (Korea Branch)**

**Kawasaki Heavy Industries, Ltd. Kawasaki Machine Systems, Ltd. (Asia Division) (Tokyo, Japan)**

**Kawasaki Machine Systems, Ltd. (Shanghai Rep. Office)**

**Kawasaki Gas Turbine Asia Sdn Bhd (Shah Alam, Malaysia)**

