

Extra-Large Payload Robot MG Series

Weight reduced to be lighter than industry standards for 1-ton-plus payload class

Unique arm construction, which features hybrid link and partial use of ball-screw drive, realizes payloads of 1 to 1.5 tons and lighter chassis without use of counterweight

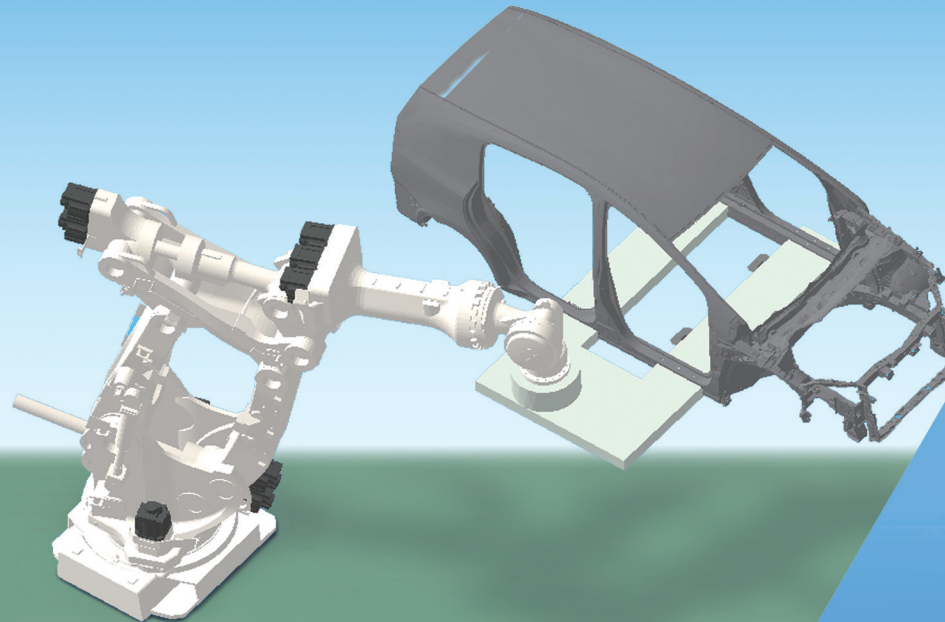
	MG15HL	Competitor
Maximum payload (kg)	1,500	1,200
Maximum reach (mm)	4,005	3,734
Main unit mass (kg)	6,550	8,600



2020

**Kawasaki
Ecological Frontiers
A class**

Initial registration: 2017



Product Description

This extra-large payload robot with a capacity of 1 to 1.5 tons realizes both high rigidity and accuracy achieved through its unique construction (parallel two-reducer mechanism on the first axis, ball-screw mechanism on the second and third axes)

Features

- Achieves 1-ton-plus payloads through adoption of hybrid link mechanism and dual servos
- Reduces arm deflection and achieves high positioning accuracy by adopting ball screws with high rigidity and minimal backlash
- Hybrid link mechanism and counterweight-less arm deliver a wide work envelope for practical use